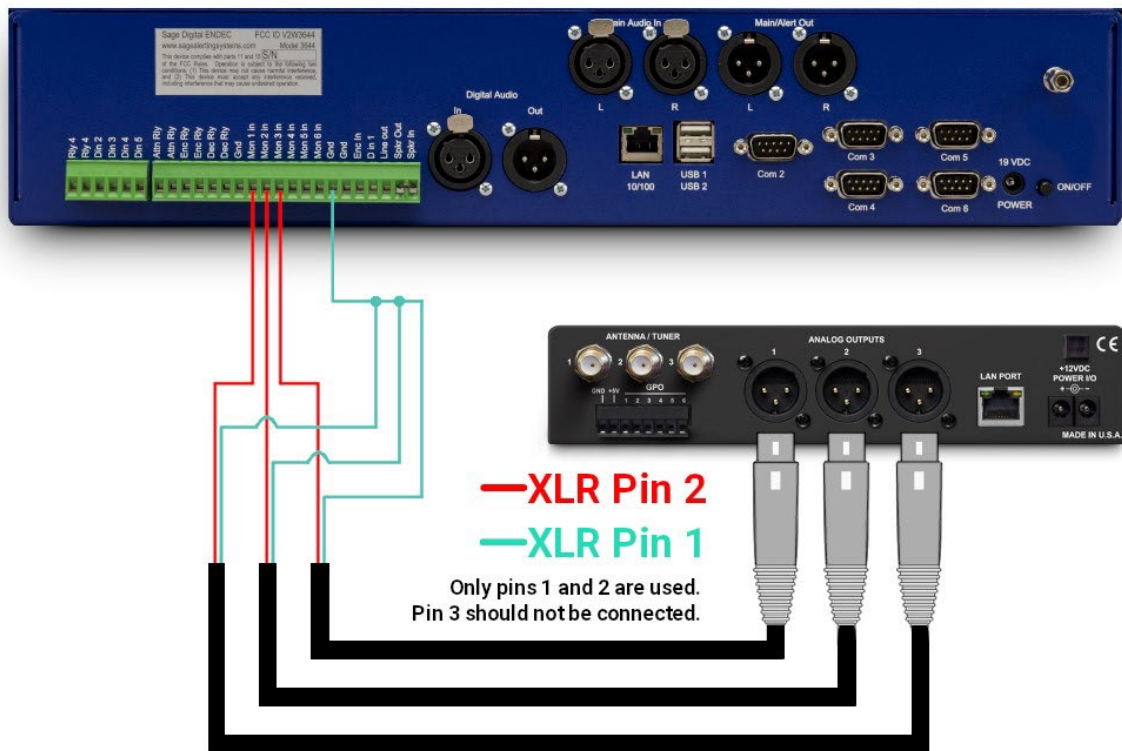


SAGE Alerting Systems

Interfacing the Sage Digital ENDEC Model 3644 to the Inovonics Model 677 Triple Tuner

The Sage ENDEC uses unbalanced audio for its six “Mon In” monitor inputs. To convert the balanced outputs of the 677 to the ENDECs inputs, connect only the high side (also called non inverted, hot, plus) of each 677 balanced output (pin 2) to three of the ENDEC’s inputs. Connect the 677 grounds to the ENDEC’s ground.



Other considerations:

- The 677 receiver shows an output level, when used as unbalanced the actual level will be half of what is shown.
- Use the ENDEC’s Monitor Input Labels feature to have callsign or other identifiers appear on the ENDEC’s menus and logs.